

LEGACY STOVES™

Advanced Design
Old Fashioned Value



MODEL
SF250

**OFF GRID
OPTIONS!!**

**SEE BACK
FOR DETAILS**

"Finally got cold weather here, stoves keeping the house nice and cozy, running it at a very low setting as cold as it is. We're constantly cooking in the oven and on the grill, you couldn't take the off-grid system away from us at gun point, well maybe at gun point. Again, thank you for the off grid system it's just simply perfect."

- Kenny & Alison Orr

SF250 Tribute
COAL STOVE

SF250 Tribute COAL STOVE

ADVANCED DESIGN

With the Spiral Chamber heat exchanger, the SF250 is more efficient than competitors' high output coal stoves.

OLD FASHIONED VALUE

The SF250 is a powerful stove with a broad heat output range that includes the highest output of any Legacy Stoves coal stove. A large ash tub provides less frequent ash removal. An included blower reduces heat loss to the outside by up to 25%.

Features

- Legacy Stoves grate system
- Spiral chamber
- Highest output of any Legacy Stoves coal stove
- 135 cfm blower

Options

- Domestic hot water coil
- Off grid water heater
- Off grid oven
- Off grid cook top



Rear-Mounted Blower



Side-Mounted Water Heating Tank



SF250 With Off Grid Accessories

OFF GRID OPTIONS!!



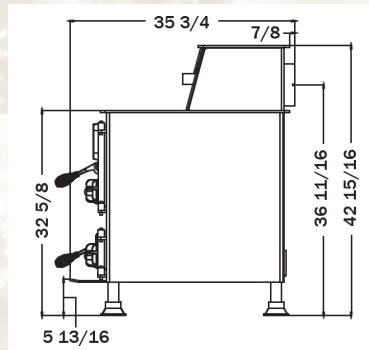
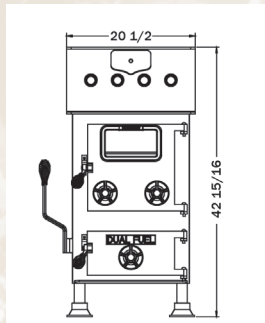
Stainless Steel Cooktop

Off grid and reduced power heating options are becoming ever more popular. Legacy Stoves has responded with off grid options for the rugged and reliable SF250. These include a stainless steel cook top (left), an oven (right) and stainless steel water heating tank (above). The rear-mounted fan improves stove heating capacity and efficiency, and has low current requirements. The SF250 can be operated without this fan, and without electrical power, if desired.

| SF250 COAL STOVE | BTU/hr Input | Heating Capacity ¹ | Fuel Type | Flue Collar | Firebox Size | Weight |
|------------------|--------------|-------------------------------|------------------------|-------------|--------------|----------|
| | 120,000 | 3000 sq. ft. | Pea, Nut or Stove Coal | 6" | 4.5 cu. ft. | 650 lbs. |

Front (Door Side) View

Right Side View



Clearances to Combustibles

| | |
|---------------------------|-----|
| Left Side | 36" |
| Right Side | 36" |
| Front (Door Side) | 16" |
| Chimney connector to wall | 24" |
| Overhead | 24" |

YOUR LEGACY STOVES DEALER IS:



LEGACY STOVESTM

Advanced Design
Old Fashioned Value

A brand of Alternate Heating Systems
2395 LITTLE EGYPT RD
HARRISONVILLE PA 17228

facebook.com/altheatsys

LS www.legacystoves.com

AHS www.alternateheatingsystems.com

LIMITED LIFETIME WARRANTY²
One of the best in the industry, AHS provides a limited lifetime warranty on most important aspects: firebox and heat exchanger.

¹See your local authorized Legacy dealer for help in determining the product that best suits your heating needs based on climate and home efficiency.

²For full warranty details, visit www.legacystoves.com. Actual product appearance, including flame, may differ from image. Product specifications and pricing subject to change without notice. The images and descriptions in this brochure are provided to assist you in product selection only. Refer to installation manual for complete clearance requirements and specifications.

Fireplace, stove and insert surfaces get extremely HOT and can cause severe burns if touched. Keep a safe distance away.