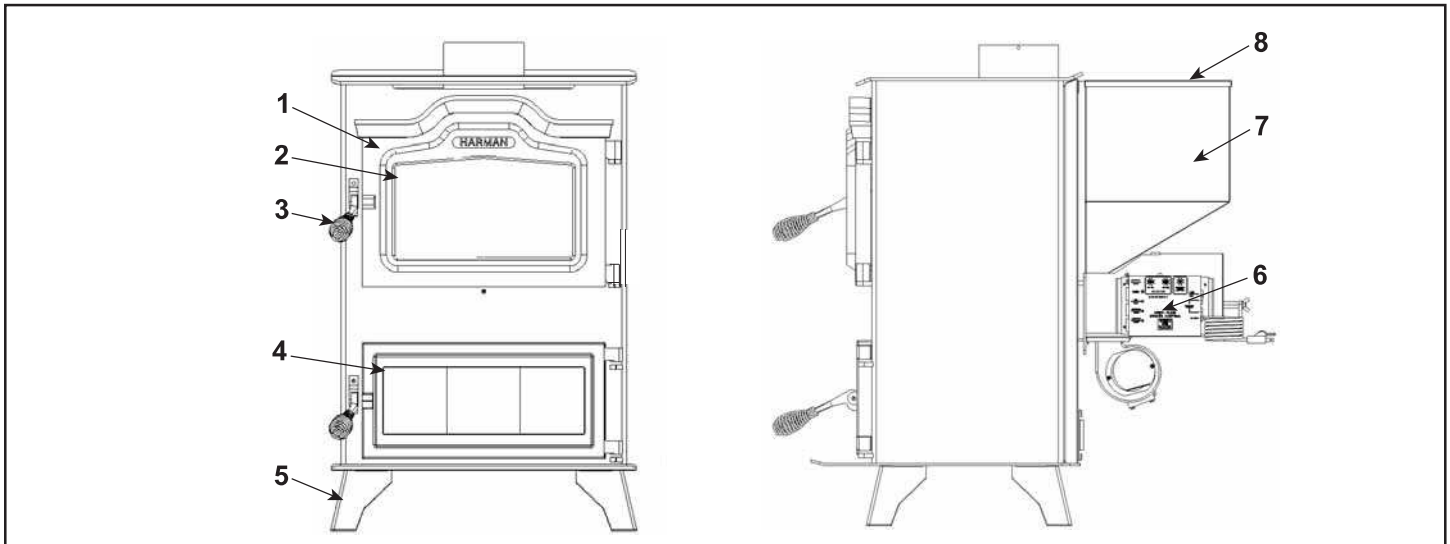


1-70-03244-1 (Black), 1-70-03244-2 (Charcoal), 1-70-03244-3 (Goldenfire), 1-70-03244-4 (Metallic Blue),  
1-70-03244-5 (Honey Glo), 1-70-03244-10 (Mojave Red), 1-70-03244-12 (Forest Green)



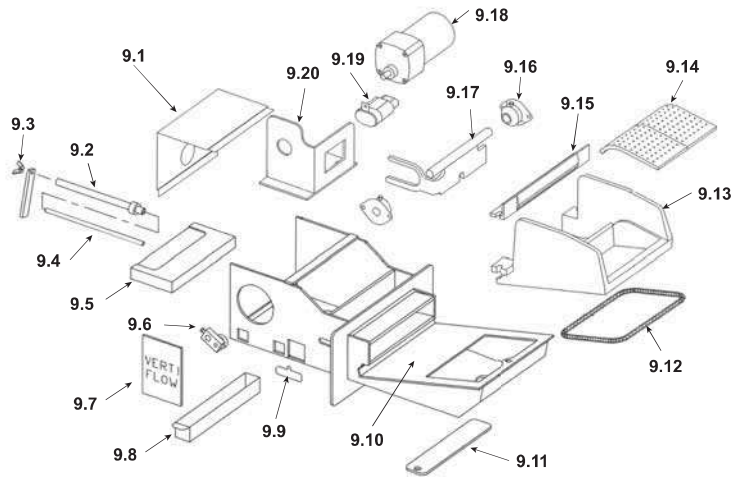
IMPORTANT: THIS IS DATED INFORMATION. When requesting service or replacement parts for your appliance please provide model number and serial number. All parts listed in this manual may be ordered from an authorized dealer.



**Stocked  
at Depot**

| ITEM | DESCRIPTION                                      | COMMENTS                   | PART NUMBER    |   |
|------|--|----------------------------|----------------|---|
| 1    | Load Door - Roped                                |                            | 1-10-08140A    | Y |
|      | Load Door Hinge Pin                              | Pkg of 4                   | 4-30-00138A    | Y |
|      | Door Kit Assembly                                | Black classic              | 1-00-00138-1   |   |
|      | Gasket Round Rope 1/2" (Load Door - Ash Door)    | 20 Ft                      | 1-00-53500     | Y |
|      | Load Door Top                                    | Cast                       | 4-00-00034-1   |   |
|      | Load Door Top (Gold)                             | <b>No longer available</b> | 3-00-00034-4   |   |
| 2    | Glass Frame                                      | Cast                       | 4-00-00037-1   |   |
|      | Glass Frame (Gold)                               | <b>No longer available</b> | 3-00-00037-4   |   |
|      | Rect Glass 8-1/2" X 14-15/16"                    |                            | 3-40-8501494   | Y |
|      | Gasket 5/8" Channel (Glass)                      | 5 Ft                       | 1-00-98187     | Y |
| 3    | Spring Handle 1/2" - Gold (Load/Ash Door Handle) | Pkg of 3                   | 3-40-00086-3-3 |   |
|      | Door Handle - Cast                               | Qty 2 req                  | 4-00-00042     | Y |
|      | Door Latch                                       | 4 Sets                     | 1-00-00036     | Y |
| 4    | Ash Door - Roped                                 |                            | 1-10-08141A    |   |
|      | Ash Door Tile Plate (Steel)                      |                            | 2-00-01148     | Y |
|      | Ash Pan  |                            | 1-10-00170A    | Y |
| 5    | Mag Leg - Cast                                   | Qty 4 req                  | 4-00-00044P    |   |
| 6    | Timer Control Box                                |                            | 3-20-44322     | Y |
|      | Fuse Holder - Timer Control Box                  |                            | 3-20-00900     | Y |
| 7    | Hopper Assembly w/Lid                            | Black                      | 1-00-01005-1   |   |
|      | Hopper Clip                                      |                            | 2-00-01035     |   |
|      | Hopper Weldment - Unpainted                      |                            | 1-10-03879     | Y |
| 8    | Hopper Lid                                       |                            | 2-00-07087     |   |
|      | Hopper Handle - Cast                             |                            | 3-00-00219S    |   |

### #9 Feeder Assembly



IMPORTANT: THIS IS DATED INFORMATION. When requesting service or replacement parts for your appliance please provide model number and serial number. All parts listed in this manual may be ordered from an authorized dealer.



**Stocked  
at Depot**

| ITEM | DESCRIPTION  | COMMENTS   | PART NUMBER  |   |
|------|--|------------|--------------|---|
| 9.1  | Feeder Motor Cover                                 |            | 2-00-00052P  |   |
|      | Pusher Block Assembly (w/Tube & Threaded Rod)      |            | 1-10-00099   | Y |
| 9.2  | Pusher Block Adjuster Tube                         |            | 1-10-00050P  |   |
| 9.3  | 5/16-18 Zinc Plated Cold Forged Wing Nut           | Pkg of 25  | 3-30-8012-25 | Y |
| 9.4  | Pusher Block Adjuster Rod                          | Pkg of 2   | 2-00-08011-2 | Y |
| 9.5  | Pusher Block                                       |            | 3-50-00026   | Y |
| 9.6  | Cam Block Assembly                                 |            | 1-10-00102A  | Y |
|      | Feeder Cam Block                                   |            | 3-50-00054   | Y |
|      | Cam Bearing  |            | 3-31-3014    | Y |
| 9.7  | Cam Arm Cover                                      |            | 2-00-00053P  | Y |
| 9.8  | Fines Tray   |            | 2-00-00055   | Y |
| 9.9  | Feed Indicator Hardware                            |            | 1-00-00056   | Y |
|      | Capacitor Holder Kit - uses 3 AMP Slow Blow Fuse   |            | 3-20-36533   |   |
| 9.10 | Feeder Body Weldment                               |            | 1-10-00687   | Y |
| 9.11 | Clean-Out Slide                                    |            | 2-00-00048P  | Y |
| 9.12 | Gasket, 3/8" round White LD (Grate Holder)         | 5 Ft       | 1-00-43375   | Y |
| 9.13 | Grate Holder Assembly                              |            | 1-10-01000   | Y |
| 9.14 | Grate Inserts                                      | Qty 2. req | 4-00-00046D  | Y |
| 9.15 | Grate Angle - Cast                                 |            | 3-00-00218   | Y |
| 9.16 | Pillow Block - 3/4" Flange                         |            | 3-31-324122  | Y |
| 9.17 | Pusher Arm Weldment                                |            | 1-10-00025   | Y |
| 9.18 | Gearmotor - 1/80 HP-4.5 RPM                        |            | 3-20-60075   | Y |
| 9.19 | Capacitor 370 Vac Motor Run                        |            | 3-20-69654   | Y |
| 9.20 | Feed Motor Mount                                   |            | 1-10-00031P  |   |
|      | Gasket 1" White w/Adhesive (Feeder to Body Gasket) | 10 FT      | 1-00-88100   | Y |

Additional service part numbers appear on following page.

